



- DC-2 GHz
- DC-6 GHz
- DC-12.4 GHz
- Medium/High Power
- 1M Life Cycles

RF Characteristics

Frequency GHz	VSWR (max)	Isolation dB (min)	Ins. Loss dB (max)
DC-1	1.15	85	0.15
1-2	1.20	80	0.20
2-4	1.25	70	0.25
4-8	1.45	60	0.40
8-12.4	1.50	60	0.50

Performance applies to N, BNC, and TNC type connectors.
Consult with factory for SC-type connectors.

Specifications

Operating Voltage (across temperature range):

- 12 Vdc (11-14 Vdc)
- 24 Vdc (20-28 Vdc)
- 28 Vdc (24-32 Vdc)

Coil Current (max. @ nom. Vdc & 25°C)*:

- 12 Vdc 320 mA
- 24 Vdc 180 mA
- 28 Vdc 135 mA

Switching Time:

20 ms maximum

Operating Temperature:

- 25°C to +65°C (Standard)
- 55°C to +85°C (Extended "T" Option)

Mechanical Life Cycles*:

1,000,000 minimum

Vibration, Operating:

10G RMS, 20-2000 Hz

Mechanical Shock, Non-Operating:

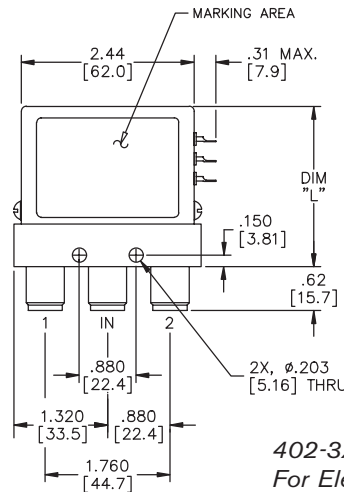
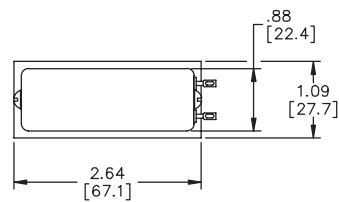
30G, 1/2 Sine, 11 ms

Nominal Weight*:

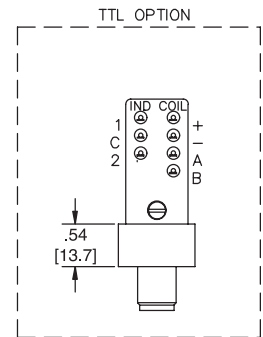
9.0 oz. (255 g.)

* Performance and weight varies depending on selected options. Values listed are for Standard 402 Latching model.

Mechanical



DIM "L" (MAX)	MODEL *	ELEC. SCHEM.
2.30 [58.4]	402-3X01	4
2.30 [58.4]	402-3X0132	4
2.40 [61.0]	402-4X01	5
2.40 [61.0]	402-4X0132	5
2.40 [61.0]	402-4X0102A	6
2.40 [61.0]	402-4X0132A	6



402-3X0132 Shown
For Electrical Schematic, see page # 1-7

Part Number Selector

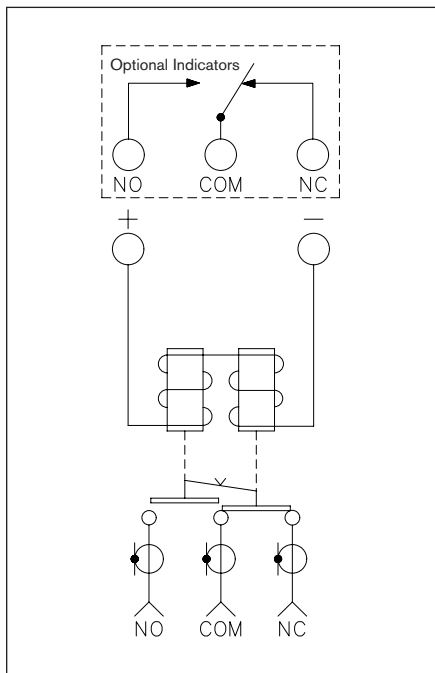
402 J - 4 2 01 02 A - ROHS

Special Options	Actuator	Coil Voltage	Connectors	Indicators	Circuit Options
A = High Power	3 = Pulse Latching	2 = 12 Vdc	01 = N Female	02 = No Indicators**	A = TTL High
I = Immersion Seal	4 = Latching Self Cutoff	3 = 28 Vdc	02 = BNC Female	32 = Indicators	L = TTL Low
J = 'D' Connector	7 = Pulse Latching with Suppression Diodes	8 = 24 Vdc	03 = TNC Female		
P = Power Connector			53 = SC Female*	** Declared only with Circuit Options	
S = Epoxy Seal					
T = -55°C to + 85°C					

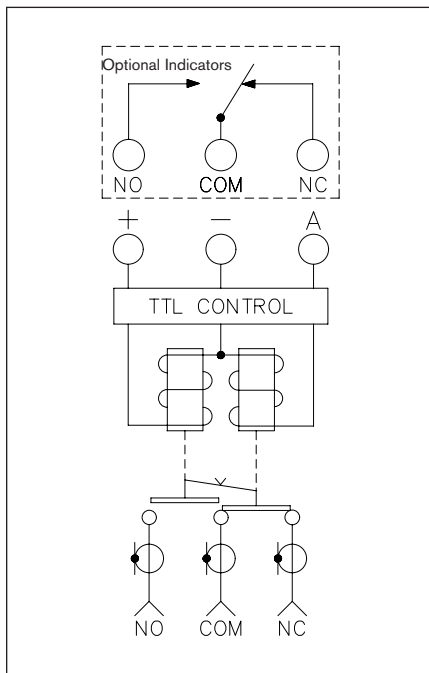
* Consult Dow-Key for dimensions

TTL option includes suppression diode. Other options may be available and all combinations may not be possible. Please consult with factory.

01 402 Failsafe



02 402 Failsafe TTL



03 Logic Truth Table

FAILSAFE TTL - SCH #2

LOGIC TRUTH TABLE		
RF PATH	INDICATOR PATH	LOGIC INPUT "A"
NC-COM	NC-COM	0
NO-COM	NO-COM	1

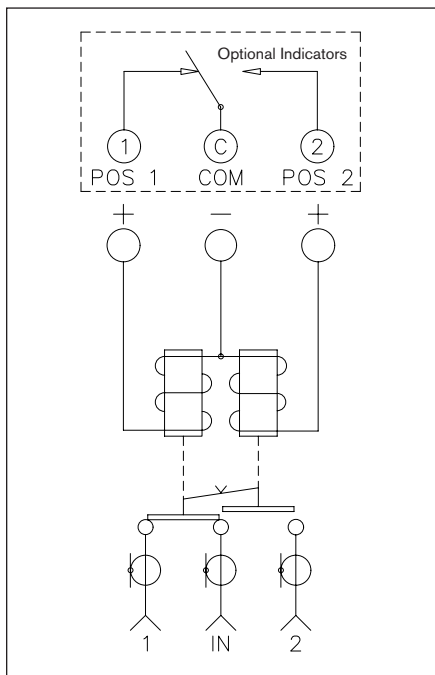
"0" = 0.0V-0.8V
 "1" = 2.4V-5.5V

SELF CUTOFF TTL - SCH #6

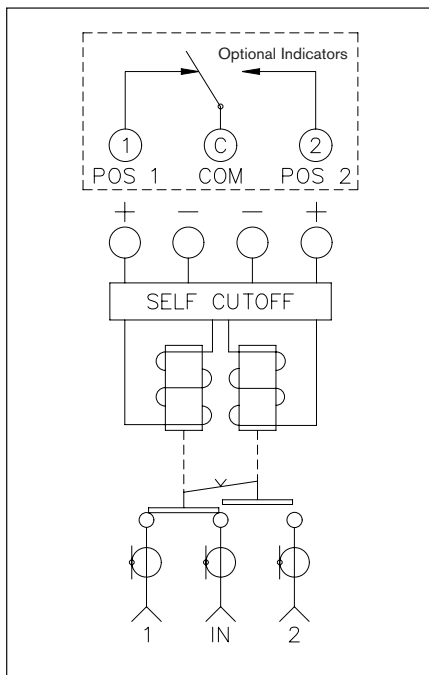
LOGIC TRUTH TABLE			
RF PATH	INDICATOR PATH	LOGIC INPUT "A"	LOGIC INPUT "B"
IN-1	COM-1	1	0
IN-2	COM-2	0	1

"0" = 0.0V-0.8V
 "1" = 2.4V-5.5V

04 402 Pulse



05 402 Self Cutoff



06 402 Self Cutoff TTL

